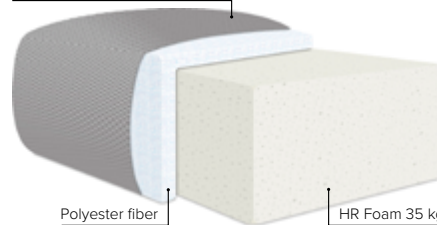


GOOD SLEEP SOFA

Furniture fabric or quality leather



Polyester fiber

HR Foam 35 kg

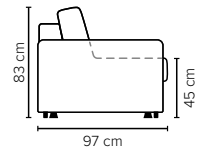
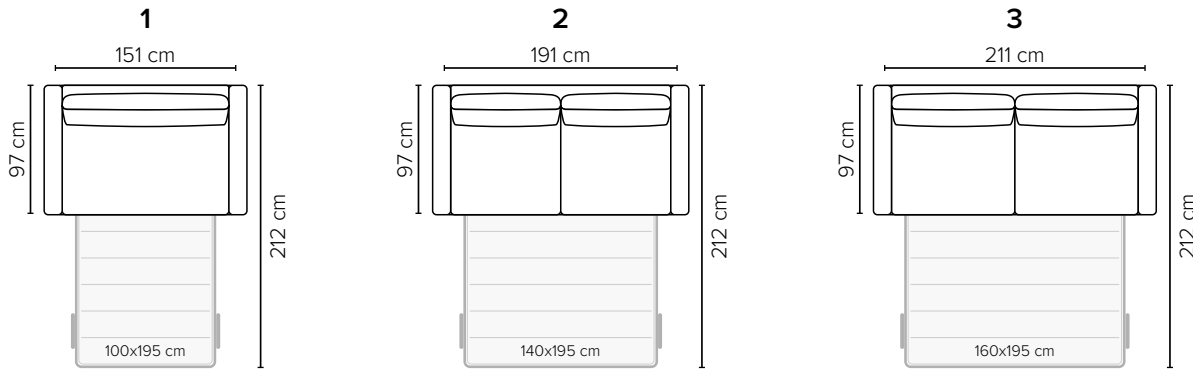


SEVERAL SLEEP COMFORT OPTIONS

COMBINATIONS

Choose from available sofa models

bellus®



- SEAT:** HR foam 35 kg covered with 200 g fiber
- BACK:** Foam 25 kg covered with 200 g fiber
Loose seat cushions, fixed with Velcro to allow mechanism movement, loose back cushions
- ARMREST:** Foam 25-30 kg

- DECO PILLOWS:** Not included in this sofa model
Additional pillows can be ordered separately
- FRAME:** Plywood + wood
- MATTRESS:** **Standard:** Bonnell
Optional: Pocket or Memory
- LEG OPTIONS:** Standard: Leg 56 (wooden, h: 5 cm)

Leg 56

Wooden colors



All measurements are approximate, +/- 3 cm. Suitable mattress size is shown on drawing. Please visit www.bellus.com for the latest product versions.